

HEALTH AND CARE

product code: **57-92/1; 57-92/1N;** - design: **Laura Silvestrini**



Description

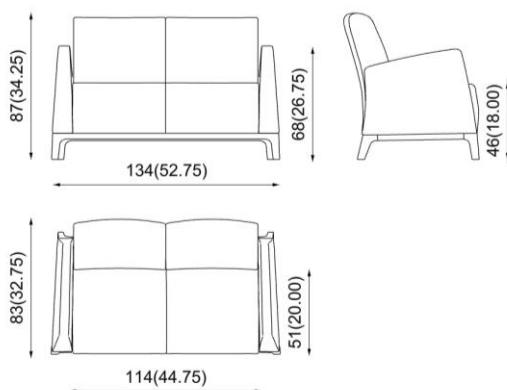
Two-seater sofa. Backrest with shaped padding. Fully padded armrests. Removable seat for easy cleaning

Divano a 2 posti. Schienale a imbottitura sagomata. Braccioli interamente imbottiti. Sedile rimovibile per facile igienizzazione.

2-Sitzer-Sofa. Rückenlehne mit Unterstützung im Lendenbereich. Armlehnen vollständig gepolstert. Abnehmbare Sitzfläche für einfache Reinigung.

Canapé 2 places. Dossier avec rembourrage façonné. Accoudoirs avec profil en bois et poignée ergonomique. Assise amovible pour une hygiénisation facile.

Dimensions (cm / in)



Fabric need for 1 pc. > 530; for 2 + pc. > 530 (cm / h 140)
Fabric need for 1 pc. > 208,75; for 2 + pc. > 208,75 (in / h 55,25)



Weight for 1 pc. > 54 (kg) / 119,04 (lbs)



Volume for 1 pc. > 1,125 > 1 x box (m³)



Certifications

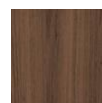
On request



Structures



Beech / Faggio
Buche / Hêtre



Walnut / Noce
Nussbaum / Noyer

Upholstery/Wood colour see fabric/leather and wood chart

Accessories



gliders



waterproof



removable



utility



anti decubitus