

HEALTH AND CARE

product code: **57-93/1; 57-93/1N;** - design: **Laura Silvestrini**



Description

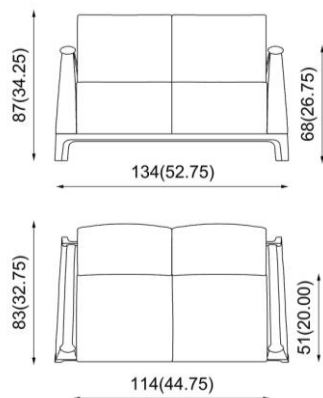
Two-seater sofa. Backrest with shaped padding. Armrests with wooden profile and ergonomic hand grip. Removable seat for easy cleaning.




Divano a 2 posti. Schienale a imbottitura sagomata. Braccioli con profilo in legno e impugnatura ergonomica. Sedile rimovibile per facile igienizzazione.

2-Sitzer-Sofa. Rückenlehne mit Unterstützung im Lendenbereich. Armlehnen mit Holzprofil und ergonomischem Knauf. Abnehmbare Sitzfläche für einfache Reinigung

Canapé 2 places. Dossier avec rembourrage façonné. Accoudoirs avec profil en bois et poignée ergonomique. Assise amovible pour une hygiénisation facile.

Dimensions (cm / in)



	Fabric need for 1 pc. > 530 ; for 2 + pc. > 530 (cm / h 140) Fabric need for 1 pc. > 208,75 ; for 2 + pc. > 208,75 (in / h 55,25)
	Weight for 1 pc. > 53,8 (kg) / 118,6 (lbs)
	Volume for 1 pc. > 1,125 > 1 x box (m ³)

Certifications

On request

CATAS



Structures



Beech / Faggio
Buche / Hêtre



Walnut / Noce
Nussbaum / Noyer

Upholstery/Wood colour see fabric/leather and wood chart

Accessories



gliders



waterproof



removable



utility



anti decubitus